

# WATER TRI-EXTENSION SCUPPER LIPS

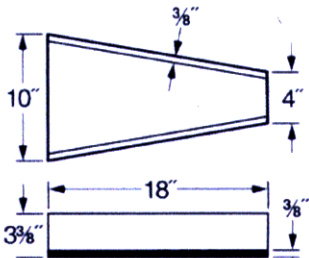
WATER TRI-EXTENSION  
RUBBER SCUPPER LIP

**PART NO: 15-1094R**

NAVY MOLD: 1376-A

BIW CAT NO: 54165-005

BIW DRAWING # 8100-5220-0003 REV M



SCUPPER and HARDWARE KIT

**PN: 15-1094RCK**



WATER TRI-EXTENSION RUBBER  
SCUPPER LIP NAVY MOLD 1376-A  
MODIFIED TO BIW CAT NO: 54665-083

DIM A - 4" DIM B - 8-1/4"

BIW DRAWING # 8100-5220-0003

**PN: 15-1094R-MOD**



WATER TRI-EXTENSION  
RUBBER SCUPPER KIT

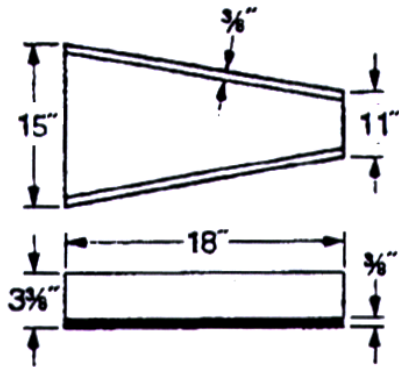
INCLUDES RUBBER SCUPPER TRI-EXTENSION  
316SS BRACKET and HARDWARE

BIW CAT NO: 54665-083

BIW DRAWING # 8100-5220-0003 REV L

**PART NO: 15-1094RCK-MOD**

RUBBER TRI SCUPPER  
**PART NO: 15-4610R**  
15-3/4" X 11" X 18"  
BIW CAT NO: 54165-013  
BIW DRAWING # 8100-5220-0003 REV M



TRI SCUPPER  
COMPLETE KIT  
**PART NO: 15-4610RCK**  
INCLUDES TRI-SCUPPER  
316SS BRACKET and HARDWARE  
  
BIW CAT NO: 54665-130  
BIW DRAWING # 8100-5220-0003 REV L